

DEPTH GAGES

5004 ELECTRONIC DEPTH GAGES

0-24"/0-600MM

- Ideal for large part measurement up to 24" (600mm)
- Three movable bridge attachments provide additional large part measurement capacity

5004 Electronic Depth Gages

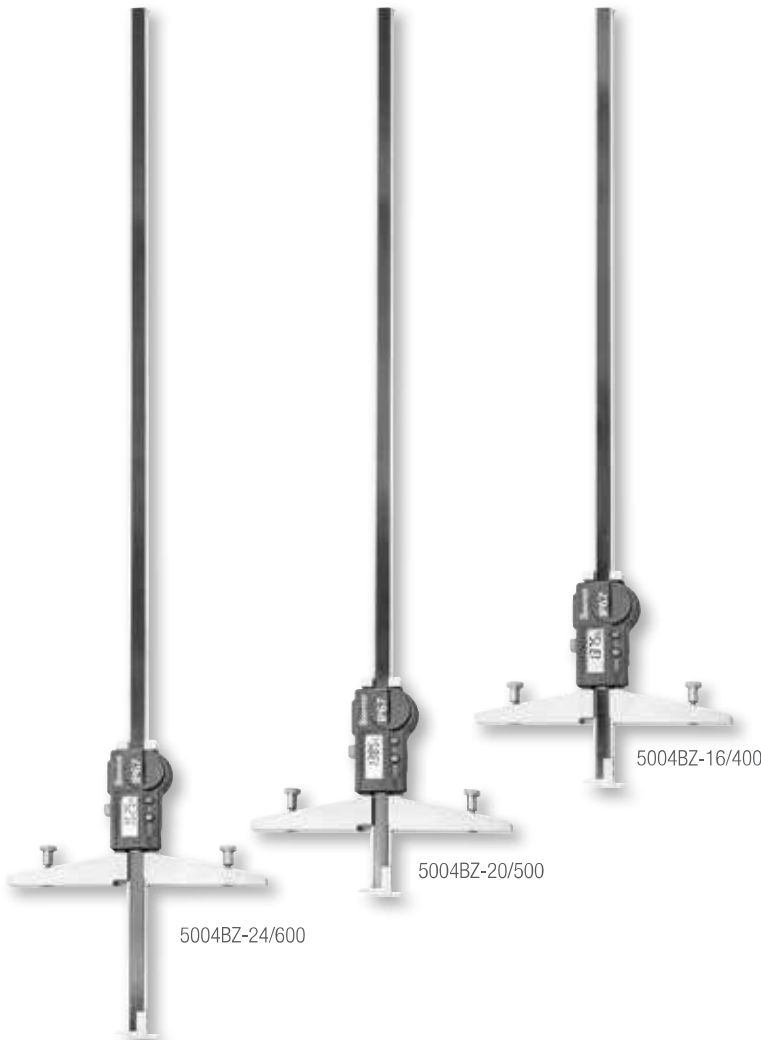
Cat. No.	EDP	Range/Size	Description
5004BZ-12/300	14583	0-12" (0-300mm)	Electronic depth gage
5004BZ-16/400	14584	0-16" (0-400mm)	Electronic depth gage
5004BZ-20/500	14585	0-20" (0-500mm)	Electronic depth gage
5004BZ-24/600	14586	0-24" (0-600mm)	Electronic depth gage
5004BZ-32/800	14587	0-32" (0-800mm)	Electronic depth gage

Accessories for 5004 Depth Gages

Part No.	EDP	Range/Size	Description
PT06133	12825	16" (400mm)	Movable bridge attachment for use with 5004 Depth Gages
PT06134	12826	20" (500mm)	Movable bridge attachment for use with 5004 Depth Gages
PT06135	12827	24" (600mm)	Movable bridge attachment for use with 5004 Depth Gages
PT06136	12828	1.024" (26mm) overall length	Offset attachment for use with 5004 Depth Gages

Smart Cables for 5004 Depth Gages

Cat. No.	EDP	Description
798SCKB	69889	USB cable to PC (In focused window)
798SCU	73321	SmartCable USB for 798, 5004B
798SCM	69894	Connect to 7612, 7613 Gage Mux



5004BZ with PT06133

FEATURES AND SPECIFICATIONS



- Hardened stainless steel construction
- Coolant resistant
- Mode and Set buttons control a wide range of functions: On/Off, Absolute/Relative display, Inch/Metric display, Preset and Hold
- RS232 data transmission port
- Furnished with one CR2032 lithium battery that will provide over a year of life with normal use
- Protective wooden case
- Resolution: 0.0005"/0.01mm
- Includes offset attachment PT06136
- IP67 protection

IP PROTECTION



An IP number is composed of two numbers, the first referring to protection against solid objects and the second against liquids.

First number 6: Totally protected against dust

Second number 7: Protection against submersion in water under standardized conditions of pressure for 30 minutes

